



700305335

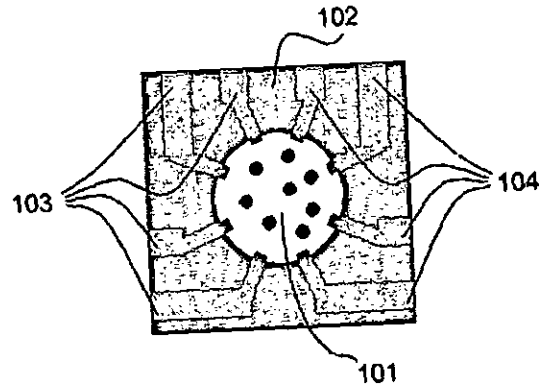


Figure 1

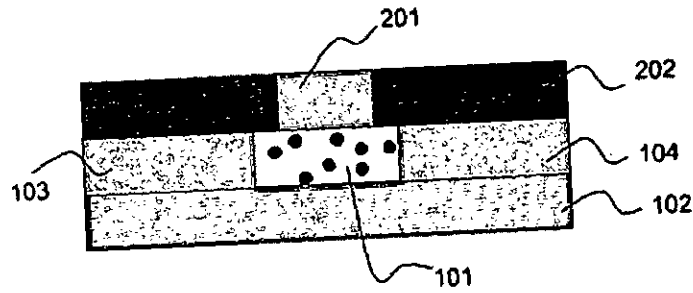


Figure 2

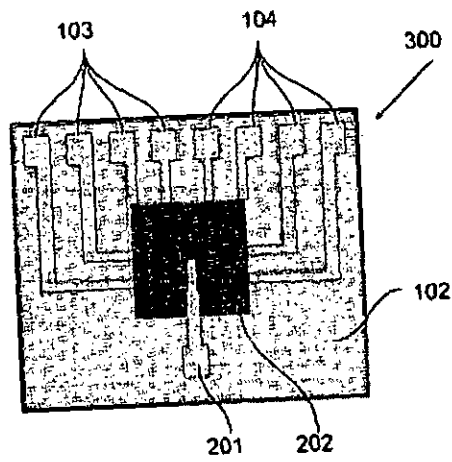


Figure 3

04-Feb-2020/10703/201941004265/Drawing

PATENT OFFICE CHENNAI 05.02.2020 15:52

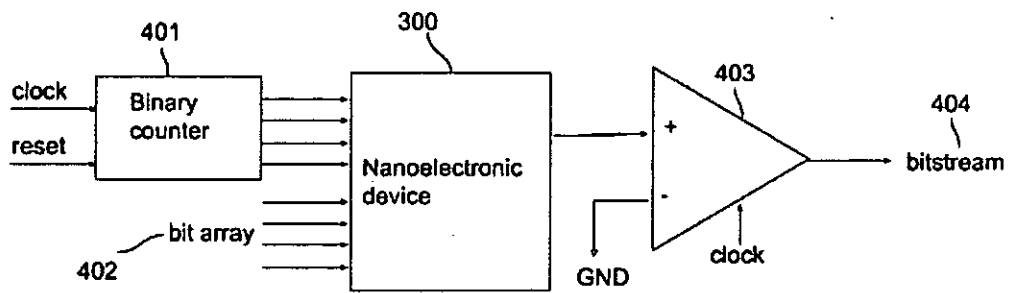


Figure 4

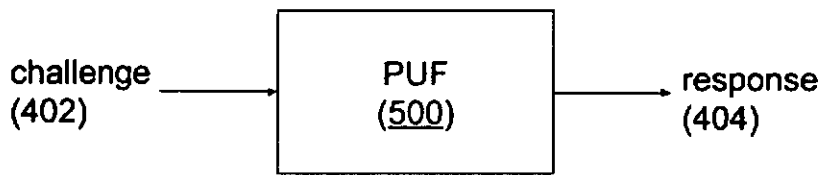


Figure 5

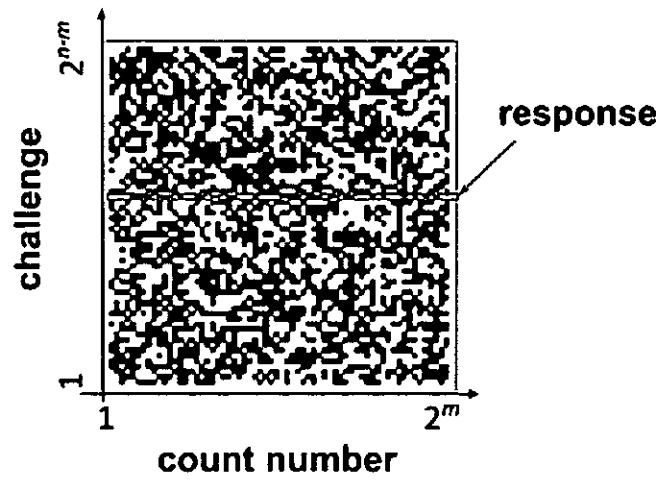


Figure 6

04-Feb-2020/10703/201941004265/Drawing

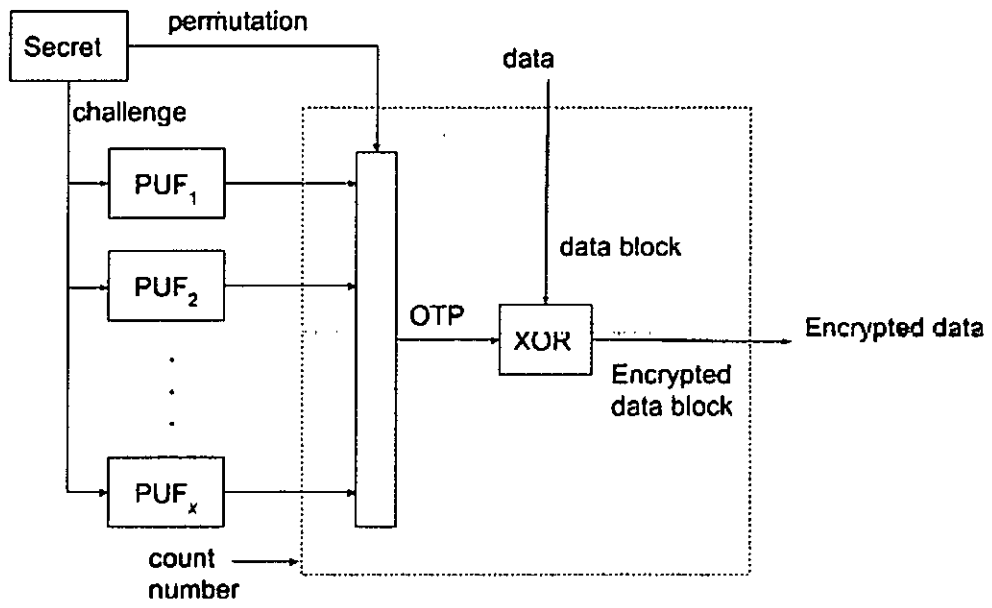


Figure 7

04-Feb-2020/10703/201941004265/Drawing